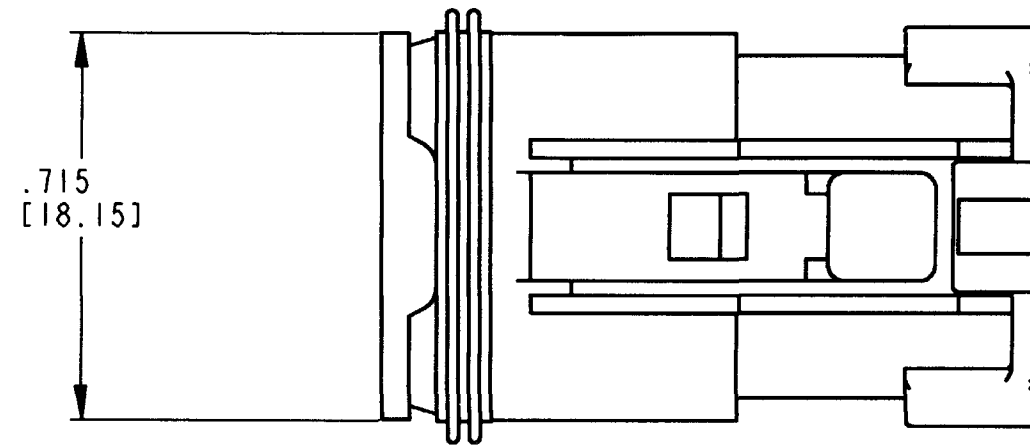
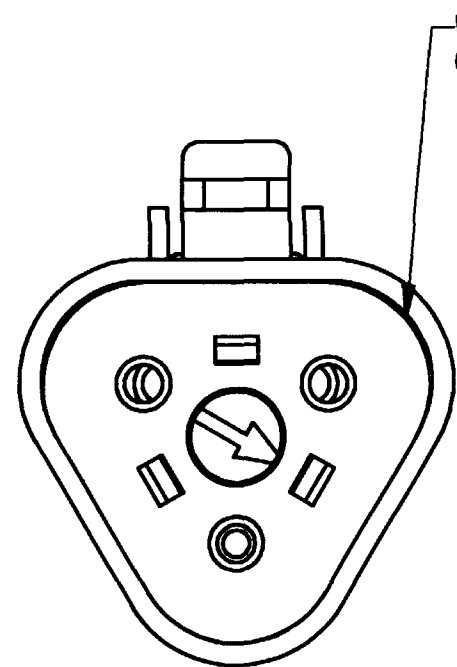


3D VIEW



REV
NC DT06-3S-CP01

REVISIONS			
SYM	DESCRIPTION	DATE	APPROVED
NC	NEW RELEASE PER E.O. P16214	7-27-99	[Signature]



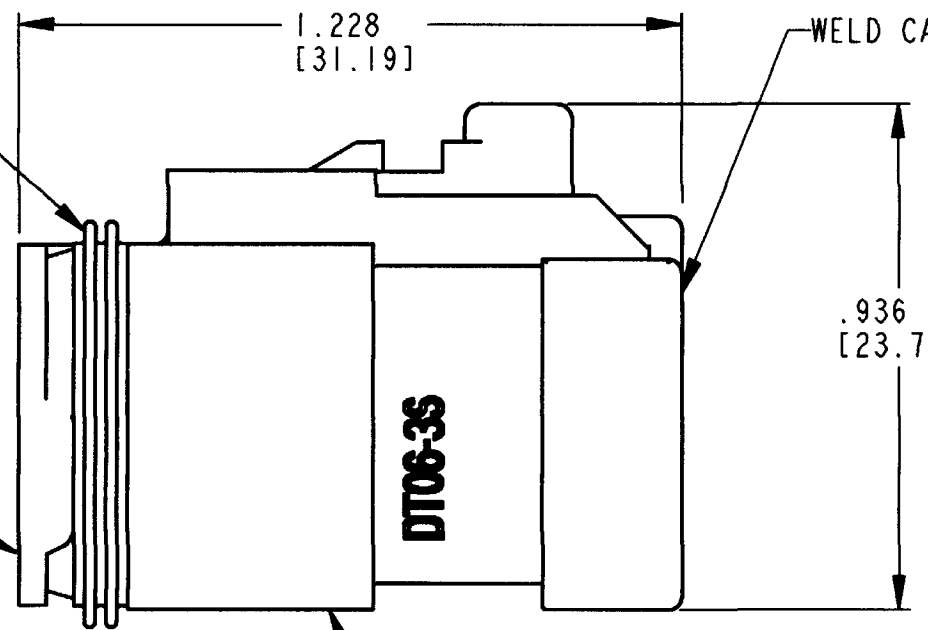
WEDGE LOCK
ORIENTATION OPTIONAL

SEAL

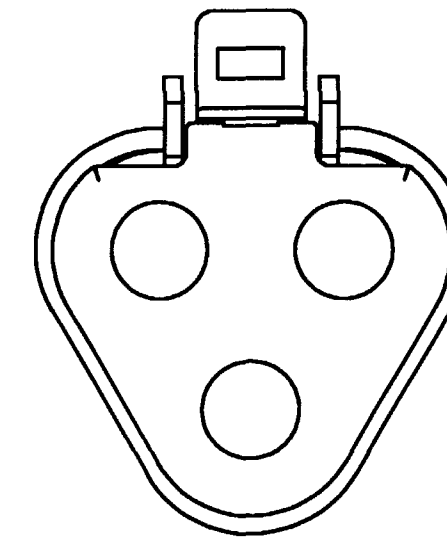
1.228
[31.19]

WELD CAP

WEDGE LOCK



.936
[23.77]



4. THIS PLUG MATES WITH DT04-3P-**** RECEPTACLE (**** = ALL MODIFICATIONS). CONSULT FACTORY FOR MODIFICATIONS.
3. FOR CONTACTS AND WIRE PERFORMANCE AND APPLICATION CHARACTERISTICS SEE ENVELOPE DRAWING 0425-015-0000 AND 0425-017-0000.
2. DIMENSIONS ARE ±.025[0.63] UNLESS OTHERWISE SPECIFIED.
1. DIMENSIONS ARE IN INCHES [MILLIMETERS].

NOTES:

SIGNATURE & DATE	
DR	S. THEIS 7/27/99
CHK	[Signature] 7-28-99
PE	[Signature] 7-27-99
APPD	[Signature] 7-29-99
SCALE	WT

3 WAY PLUG
W/ BLOCKED GROMMET
COLOR: BLACK
CP01 MOD
DT SERIES

ENVELOPE

CP	MATL. CODE
The Deutsch Company DEUTSCH I.P.D. 3850 INDUSTRIAL AVE. HEMET, CALIF. 92545	
B	DT06-3S-CP01
DWG SIZE	CODE 11139 SHEET OF